

- Digital contact thermometer
- 3-digit 14mm LED display
- 63mm stainless steel case
- Min./max. memory
- Ranges from 0...50°C to -50...200°C
- Easy on-site configuration
- Analog output: 0(4)...20 mA, 0...10 V
- Contact output: DC PNP, max. 200 mA



## Digital contact thermometer TM 63

### Technical Data:



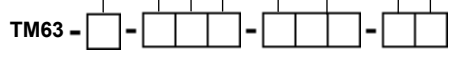
Range:	0...50°C bis -50...200°C
Analog output:	0(4)...20 mA, 0...10 V
Contact output:	DC PNP, max. 200 mA
Accuracy:	$\leq \pm 0.3\% \text{ FS @ } 25^\circ\text{C} + 0,3^\circ\text{C}$ $+0.005^\circ\text{C} \times t \text{ (Pt1000 Kl. B)}$
Response time:	200 ms
Power supply:	10...30V DC, 20 mA Ausgang 16...30V DC, 10 V Ausgang
Ambient temperature:	-25...80 °C
Process temperature:	-20...200 °C
Temperature coefficient:	$\leq \pm 0.02\% \text{ FS/K}$
Long term stability:	$\leq \pm 0.2\% \text{ FS p. a.}$
Bayonet lock case:	1.4301 (304) IP 67
Process connection:	G 1/2", 1.4404 (316L)
Electrical connection:	M8x1 4-pin connector

**Ranges** **Ordering code**

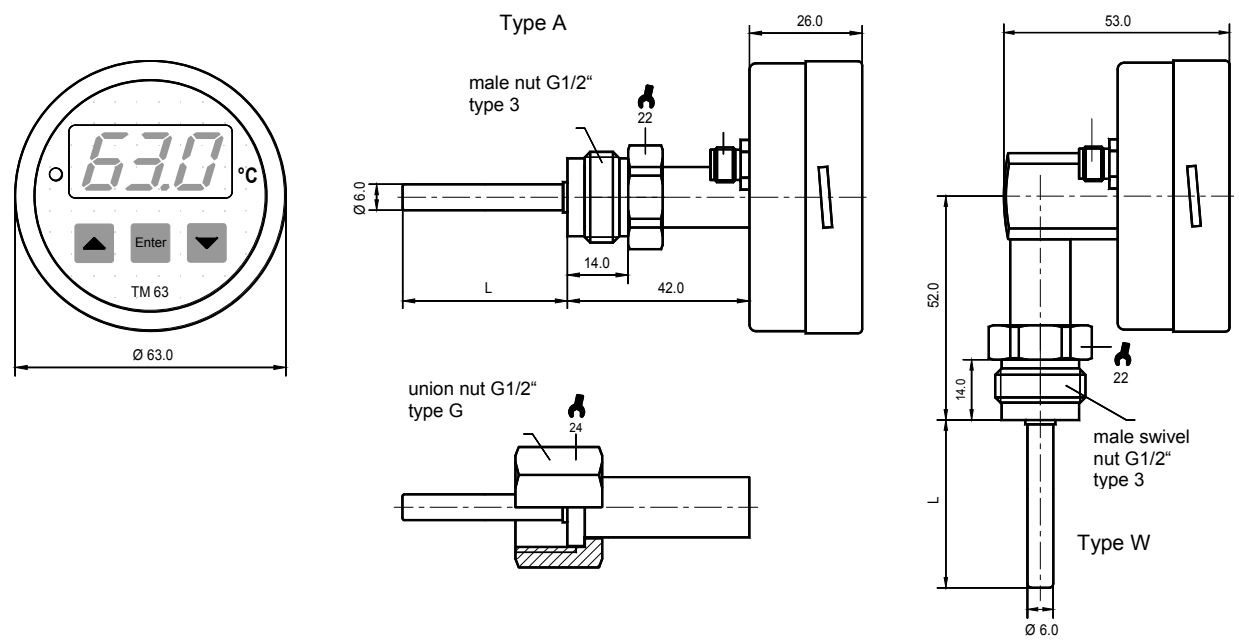
ranges	Code
0...50 °C	1
0...60 °C	2
0...80 °C	3
0...100 °C	4
0...120 °C	5
0...150 °C	6
0...160 °C	7
0...200 °C	8
-20...50 °C	A
-20...60 °C	B
-20...80 °C	C
-20...100 °C	D
-20...120 °C	E
-20...150 °C	F
-20...160 °C	G
-20...200 °C	H
0.0...50.0 °C	J
0.0...60.0 °C	K
0.0...80.0 °C	L
0.0...100.0 °C	M
-20.0...50.0 °C	N
-20.0...60.0 °C	O
-20.0...80.0 °C	P
-20.0...100.0 °C	Q

Other ranges on request

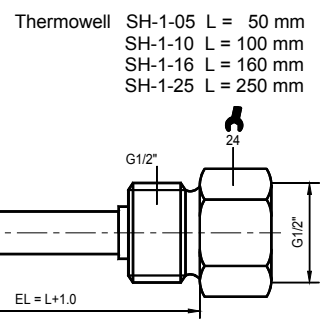
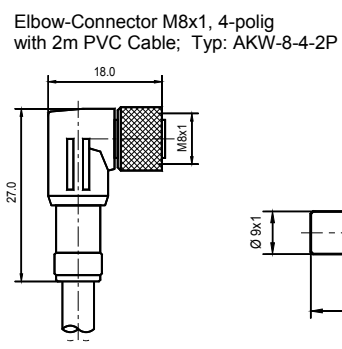
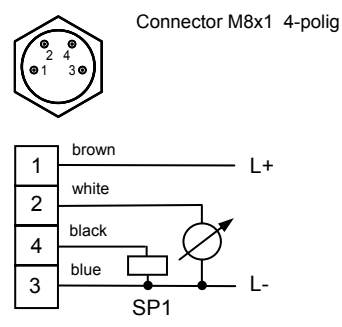
- Type**  
 A Axial, connection back  
 W Bottom connection
- Analog output**  
 1 0...10 V 3-wire  
 2 0...20 mA 3-wire  
 3 4...20 mA 3-wire (signal range 3.8...20.5 mA)
- Contact output**  
 1 1 Contact
- Range**  
 Measurement range see table  
 9 others on request
- Process connection and material**  
 3 G1/2" male swivel nut 1.4404  
 G G1/2" union nut 1.4404
- Sensor Length**  
 05 50 mm  
 10 100 mm others  
 16 160 mm on request  
 25 250 mm
- Accuracy class**  
 0 Pt 1000 Cl. B (Standard)  
 1 Pt 1000 Cl. A
- Options**  
 0 without  
 1 connector M12x1, 4-pin IP67



**Dimension (mm)**



**Electrical connections** **Accessories (optional)**



Modifications reserved without notice 07.11



**AIR ET EAU SYSTEMES** 132, rue de l'église F-54710 LUDRES  
 Tél.(+33)3 83 26 33 33 Fax.(+33)3 83 26 18 63  
 www.air-eau.com